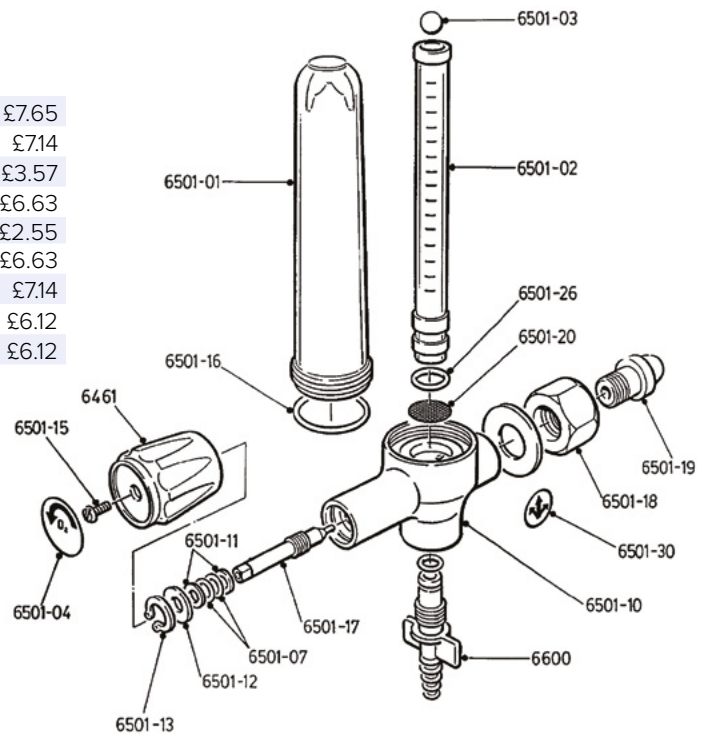


SPARES 'OLD STYLE' FLOWMETER

'OLD STYLE' FLOWMETER SPARES

6501-01	Flowmeter Outer Tube	£7.65
6501-02	Flowmeter Inner Tube - O2	£7.14
6501-04	Flowmeter Knob Label	£3.57
6461	Flowmeter Control Knob - White (O2)	£6.63
6501-15	Flowmeter Control Knob Screw	£2.55
6461-01	Flowmeter Control Knob - Black (Air)	£6.63
6502-02	Flowmeter Inner Tube - Air	£7.14
6501-18	Flowmeter Nut	£6.12
6501-19	Flowmeter Inlet	£6.12



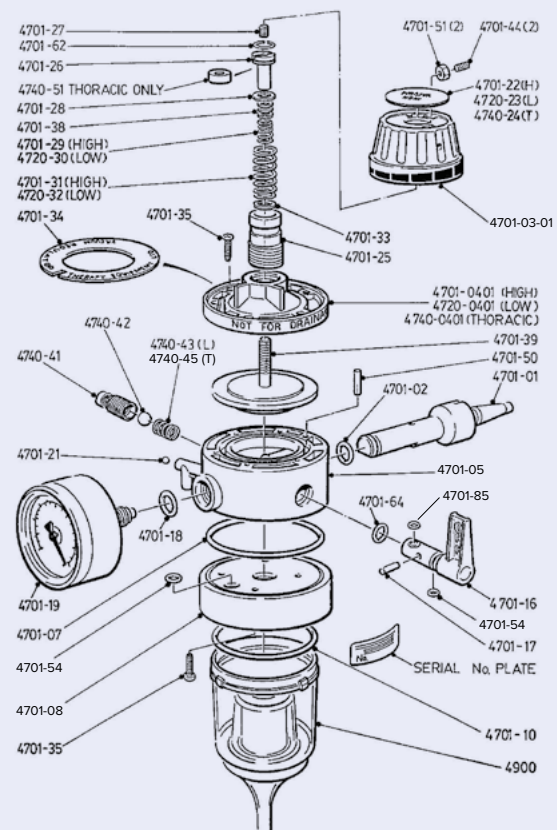
SPARES SUCTION EQUIPMENT

SUCTION CONTROLLER SPARES

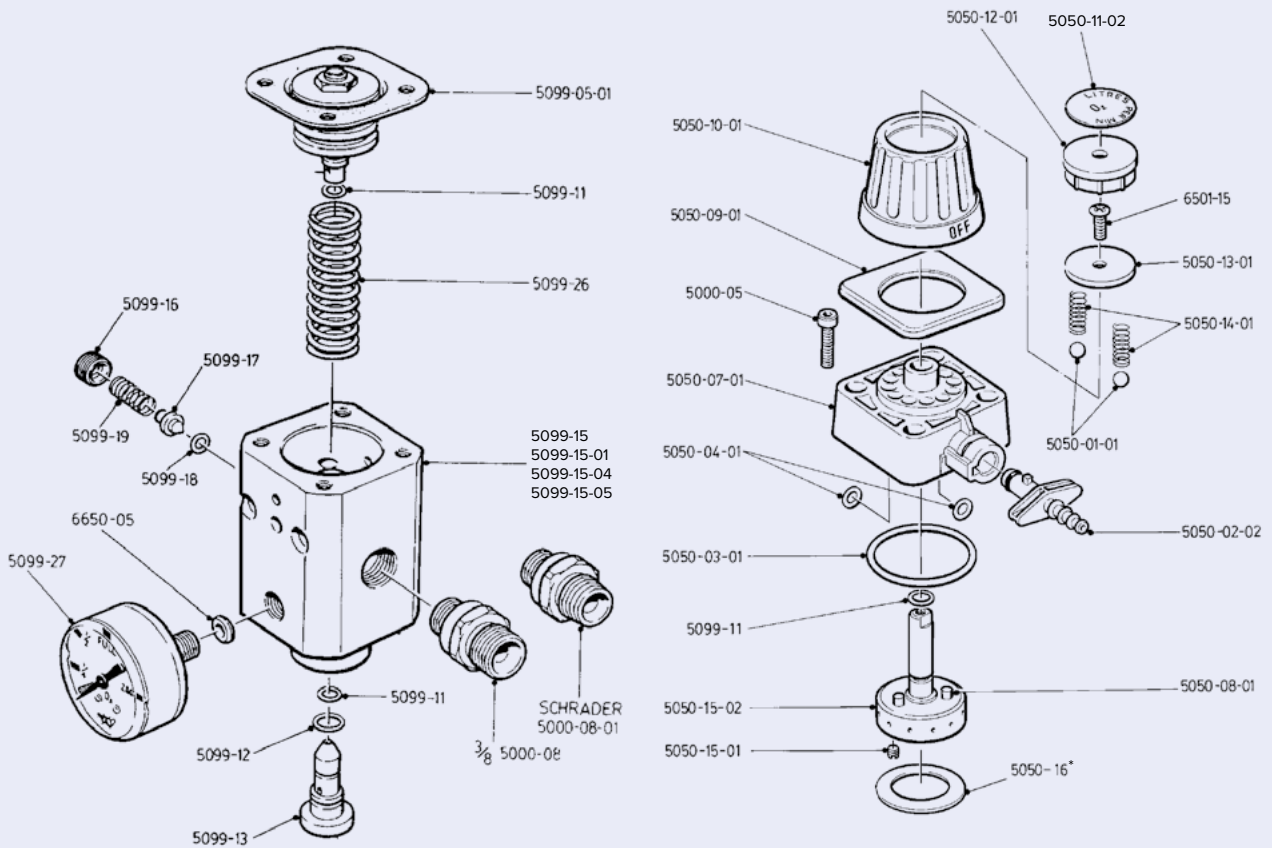
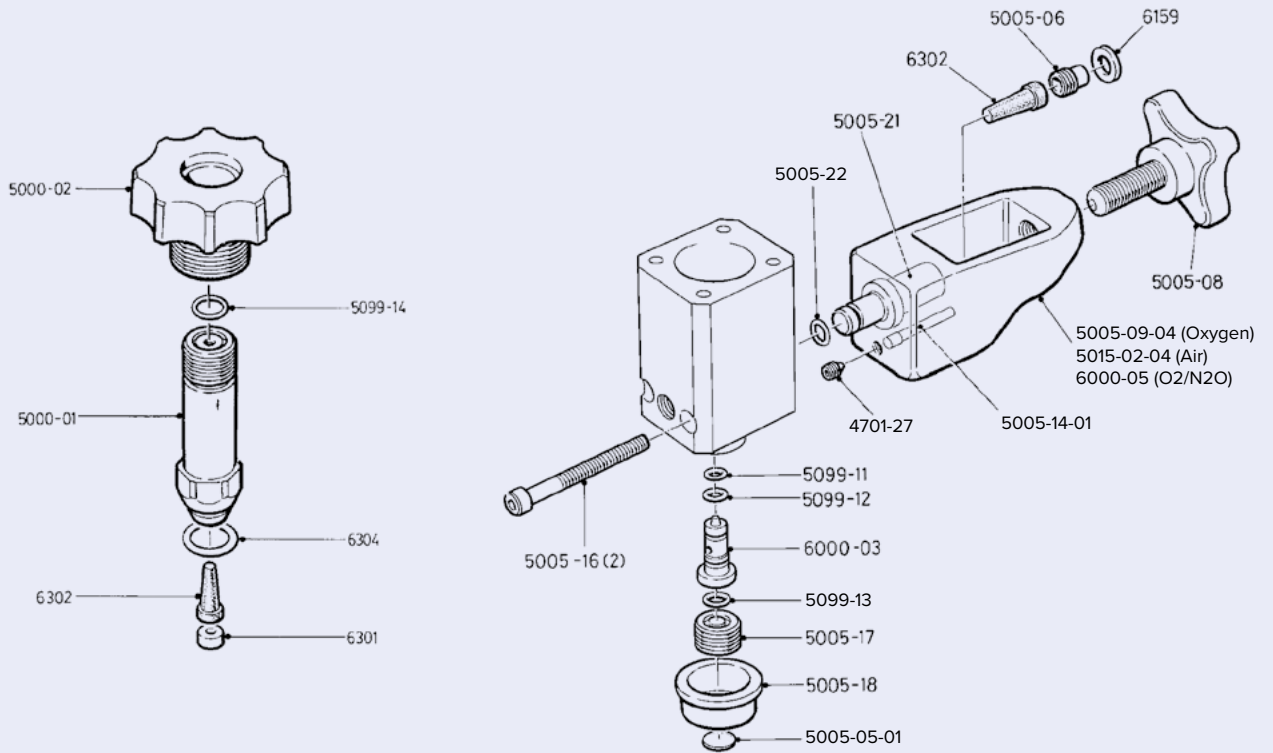
4701-01	Vacuum Probe for Therapy Equipment Suction Unit	£39.78
4701-02	O Ring for Vacuum Probe	£1.53
4701-03-01	Control Knob	£5.35
4701-10	O Ring Seal for Pipeline Protector	£1.53
4701-12	Filter for Thoracic Suction Unit	£5.35
4701-16	On/Off Tap	£9.69
4701-19	High Vacuum Gauge	£25.50
4701-34	Name Ring	£2.80
4701-54	Black O Ring for On/Off Tap	£1.63
4701-64	White O Ring for On/Off Tap	£1.63
4720-20	Low Vacuum Gauge	£107.10
4740-21	Thoracic Vacuum Gauge	£122.40
4701-68	Thoracic Filter Jar Assembly	£25.50
4900	Pipeline Protector - Pack of 10	£38.25
4701-16/Kit	On/Off Tap with O Rings kit	£12.24

SUCTION JAR SPARES

4800-01	Jar Seal	£5.61
4800-02	Jar Lid	£14.28
4800-03	Receiver Jar Only	£34.68
4800-04	Long Tapered Patient Connector	£3.57
4800-05	Short Tapered Vacuum Connector	£3.57
4800-10	Float Assembly	£15.3
4800-14	Silicon Swirl Tube	£6.12



SPARES MEDIREG



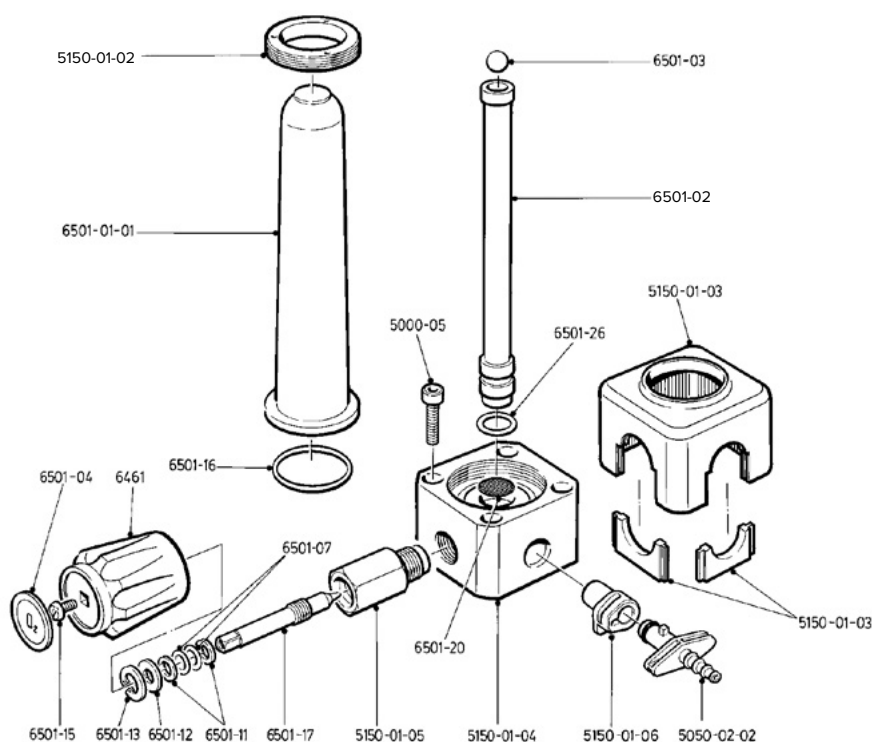
* Superseded by Stop Plate 5050-18 W.E.F 1/1/03

MEDIREGS / DIALREGS / FLOWREGS

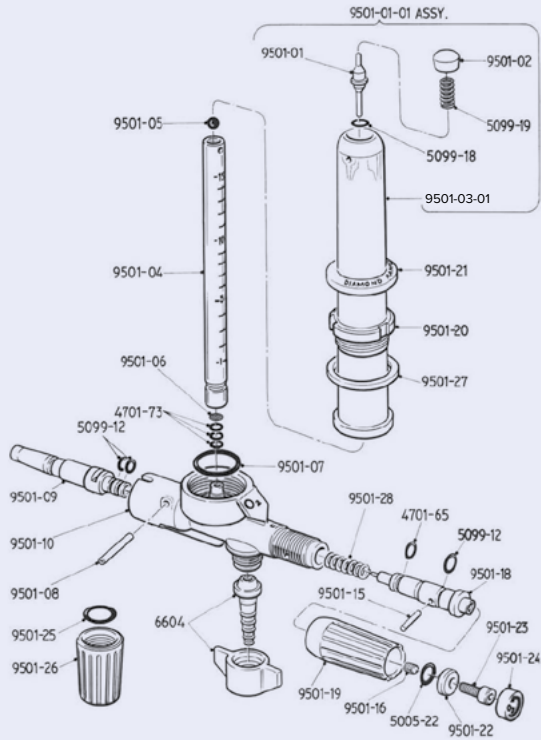
5000-01-01	Bullnose Nipple Assembly	£14.79	5099-15-01	Bullnose Main Body - Side Outlet	£51.00
5000-02	Handwheel Assembly	£12.75	5099-15-04	Pin Index Main Body - Side Outlet	£51.00
5050-03	Top Cover	£5.10	5099-15-05	Pin Index Main Body - Top Outlet	£51.00
5000-04	Inner Cap	£5.61	5099-16-01	Adjusting Screw	£7.14
5000-06-20	Service Label - Bullnose - Pink (2020)	£3.06	5099-17	Valve Body	£6.63
5000-08	3/8 Outlet Connector	£9.18	5099-19	Safety Valve Spring	£6.63
5000-08-01	Schrader Outlet Connector	£10.20	5099-20	Case - Front	£7.14
5000-09	Oxygen Label	£3.57	5099-21	Case - Back - Oxygen	£7.14
5000-09-01	Air Label	£3.57	5099-21-01	Case - Back - Air	£7.14
5005-05-20	Service Disc - Pin Index - Pink (2020)	£1.53	5099-22	Case - Base	£7.14
5005-06	Inlet Nipple - Yoke	£7.65	5099-23	Serial Number Label (Black Print)	£3.06
5005-08	Pin Index Yoke Screw	£11.73	5099-24	Logo Label	£2.55
5005-09-04	Oxygen Pin Index Yoke Only	£24.99	5099-26	414kPa Spring	£7.65
5005-14-01	Pin Index Pin	£6.37	5099-27	Oxygen Gauge	£20.40
5005-17	Threaded Plug	£9.69	5099-27-01	Gauge Glass	£5.10
5005-21	Yoke Insert	£10.71	5099-28	Air Gauge	£20.40
5015-02-04	Air Pin Index Yoke Only	£24.99	5150-01-02	Flowreg Clamping Ring	£10.20
5050-01-01	Ball Bearing	£4.08	5150-01-03	Flowreg Cover	£7.65
5050-07-01	Dial Main Body	£9.69	5150-01-04	Flowreg Flowmeter Main Body	£35.70
5050-08-01	Dialreg Pin	£5.61	5150-01-05	Flowreg Spindle Body	£25.50
5050-09-01	Cover Plate	£5.10	6000-01	Entonox Gauge	£25.50
5050-10-01	Dialreg Control Knob - 0-15 LPM	£10.20	6000-03	Entonox Jet Seating	£16.32
5050-10-03	Dialreg Control Knob - 0-1 LPM (Complete with Flush setting)	£10.20	6000-05	Entonox Pin Index Yoke Only	£31.11
5050-10-05	Dialreg Control Knob - 0-15 LPM (Low Start)	£10.20	6000-07	Entonox Diaphragm Assembly	£29.58
5050-10-07	Dialreg Control Knob - 2/4 LPM	£10.20	5099-21-04	Case - Back - Entonox	£7.14
5050-11-01	Dialreg Label - Air	£3.57	6501-01-01	Flanged Outer Tube	£7.65
5050-11-02	Dialreg Label - Oxygen	£3.57			
5050-12-01	Dialreg Cap	£4.59			
5050-13-01	Dialreg Disc - Clamping	£6.12			
5050-14-01	Dialreg Spring	£6.12			
5050-15-02	Metering Drum	£44.88			
5099-05-01	Diaphragm Assembly - Oxygen/Air	£30.60			
5099-08	2" Screws	£2.04			
5099-13	Jet Seating	£12.75			
5099-15	Bullnose Main Body - Top Outlet	£51.00			

Service Kits (All parts required in connection with 4 Yearly reconditioning):

5099-50	Bullnose Medireg Service Kit	£26.52
5099-55	Pin Index Medireg Service Kit	£27.03
5099-60	Bullnose Dialreg Service Kit	£27.03
5099-65	Pin Index Dialreg Service Kit	£28.05
5099-70	Bullnose Flowreg Service Kit	£28.05
5099-75	Pin Index Flowreg Service Kit	£28.56
6010-01	Pin Index O2/N20 Medireg Service Kit	£30.60



SPARES DIAMOND FLOWMETER

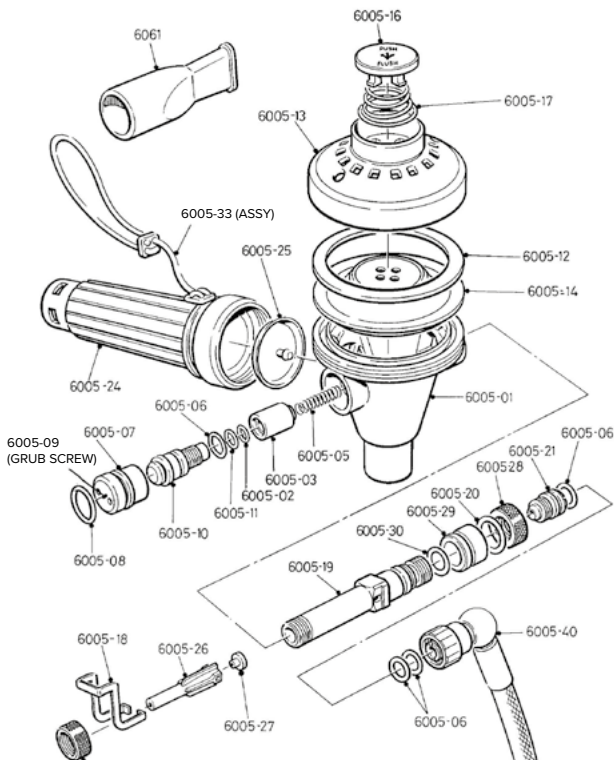


DIAMOND FLOWMETER SPARES

The Therapy Equipment Diamond Range Flowmeter is supplied with a 7 year warranty against malfunction and damage. In line with standard policy, all spares are available, however should not be required. In the event of breakage, please return the unit to therapy equipment ltd for a free of charge repair/replacement.

9501-26	Outlet Adaptor (to convert Male Outlet to Female)	£3.57
9501-03-01	Diamond Flowmeter Control Knob - O2	£9.18
9501-04	Diamond Flowmeter Inner Tube - O2	£6.63
9501-21	Diamond Flowmeter Cover Ring - O2	£4.08

SPARES ENTONOX



COMFORT RANGE ANALGESIC EQUIPMENT SPARES

6005-60	2 Metre PVC Hose Assembly	£49.98
6005-60/3M	3 Metre PVC "Entonox" Hose Assembly	£53.80
6005-60/4M	4 Metre PVC "Entonox" Hose Assembly	£57.63
6005-50	2 Metre Silicone Hose Assembly	£74.97
6005-50/3M	3 Metre Silicone "Entonox" Hose Assembly	£88.23
6005-50/4M	4 Metre Silicone "Entonox" Hose Assembly	£101.49
6005-33	Wrist Strap	£5.10
6005-45	Valve Capsule (6005-10/11/06/02/03)	£17.34
6815	Patient Facemask - Large	£8.67
6816	Patient Facemask - Medium	£8.67
6061	Patient Mouthpiece	£2.29
6020-03/COIL	30mm Plastic Tubing for AGSS System (17 x 1.5m Sections)	£277.4
6020-01	AGSS 30mm Male Connector	£1.78
6020-02	AGSS 30mm Female Connector	£1.78
6000-19	Spare Carry Case	£101.70
6005-46	Demand Valve Reconditioning Kit (Valve Capsule; Valve Seat)	£20.91
6005-48	Demand Valve Buffer Ring	£6.12
6005-41	Demand Valve Elbow Connector	£9.18
6005-24	Demand Valve Handle	£12.24
6005-13	Demand Valve Cap	£14.79
6005-16	Demand Valve Flush Button	£6.63