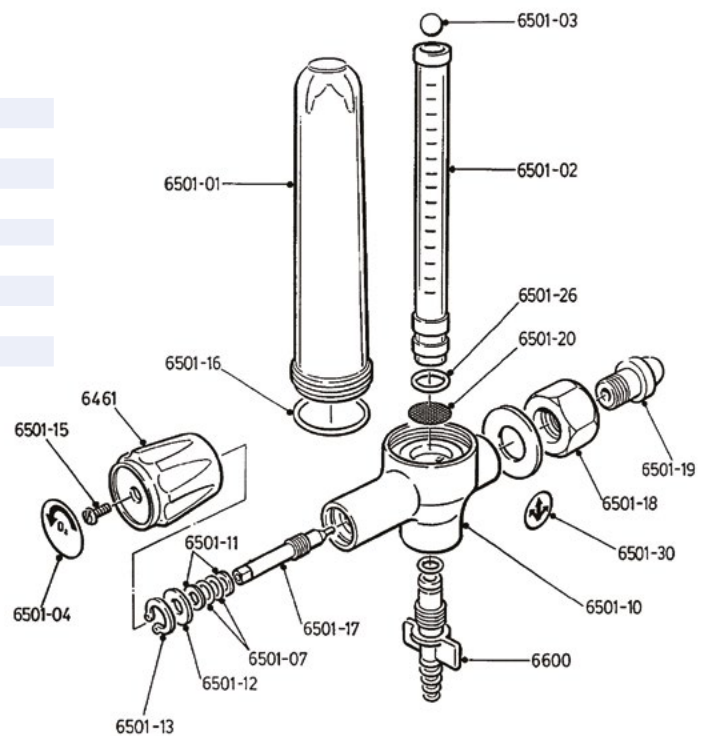


SPARES 'OLD STYLE' FLOWMETER

'OLD STYLE' FLOWMETER SPARES

6501-01	Flowmeter Outer Tube
6501-02	Flowmeter Inner Tube - O2
6501-04	Flowmeter Knob Label
6461	Flowmeter Control Knob - White (O2)
6501-15	Flowmeter Control Knob Screw
6461-01	Flowmeter Control Knob - Black (Air)
6502-02	Flowmeter Inner Tube - Air
6501-18	Flowmeter Nut
6501-19	Flowmeter Inlet



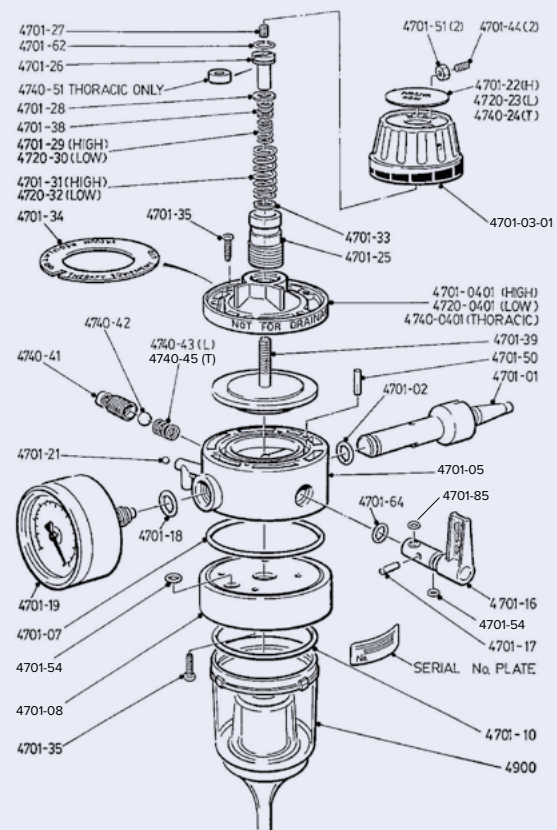
SPARES SUCTION EQUIPMENT

SUCTION CONTROLLER SPARES

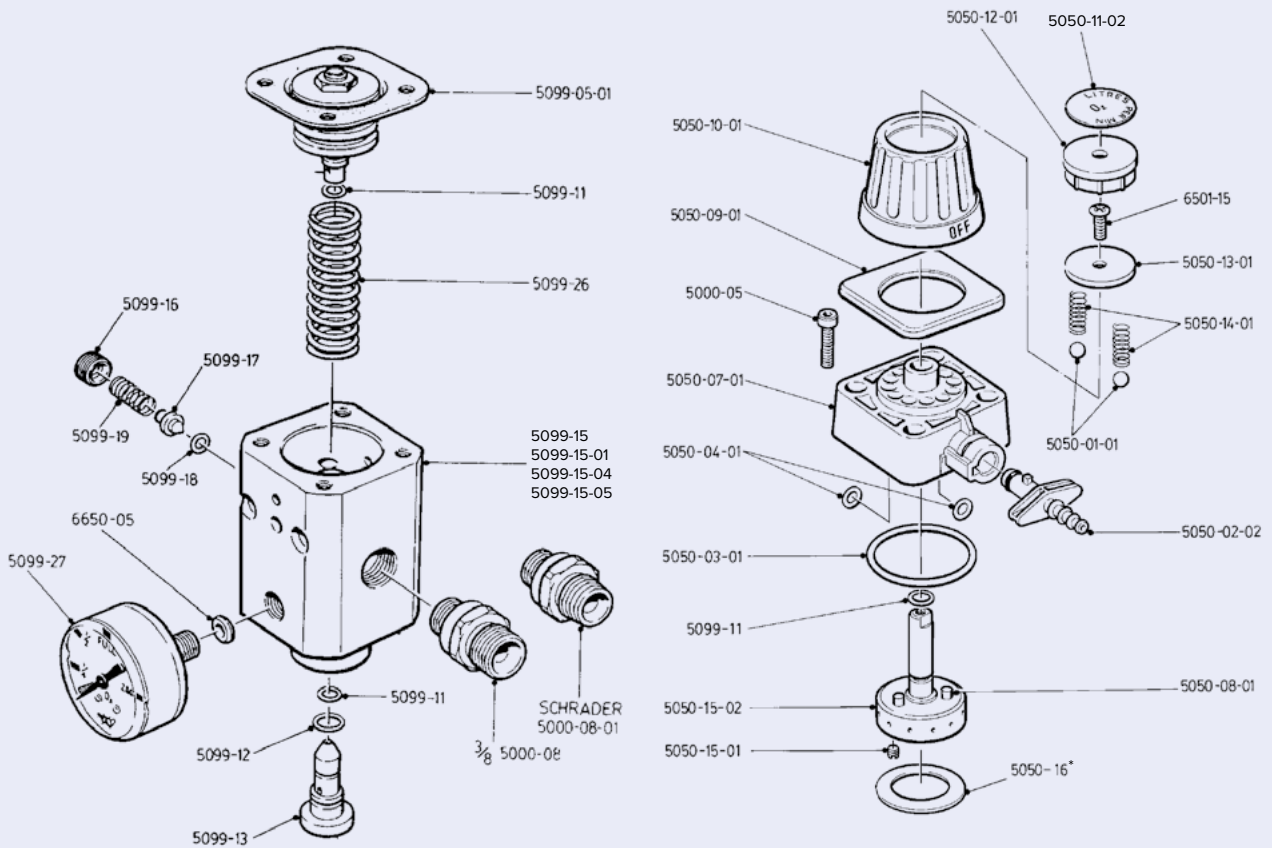
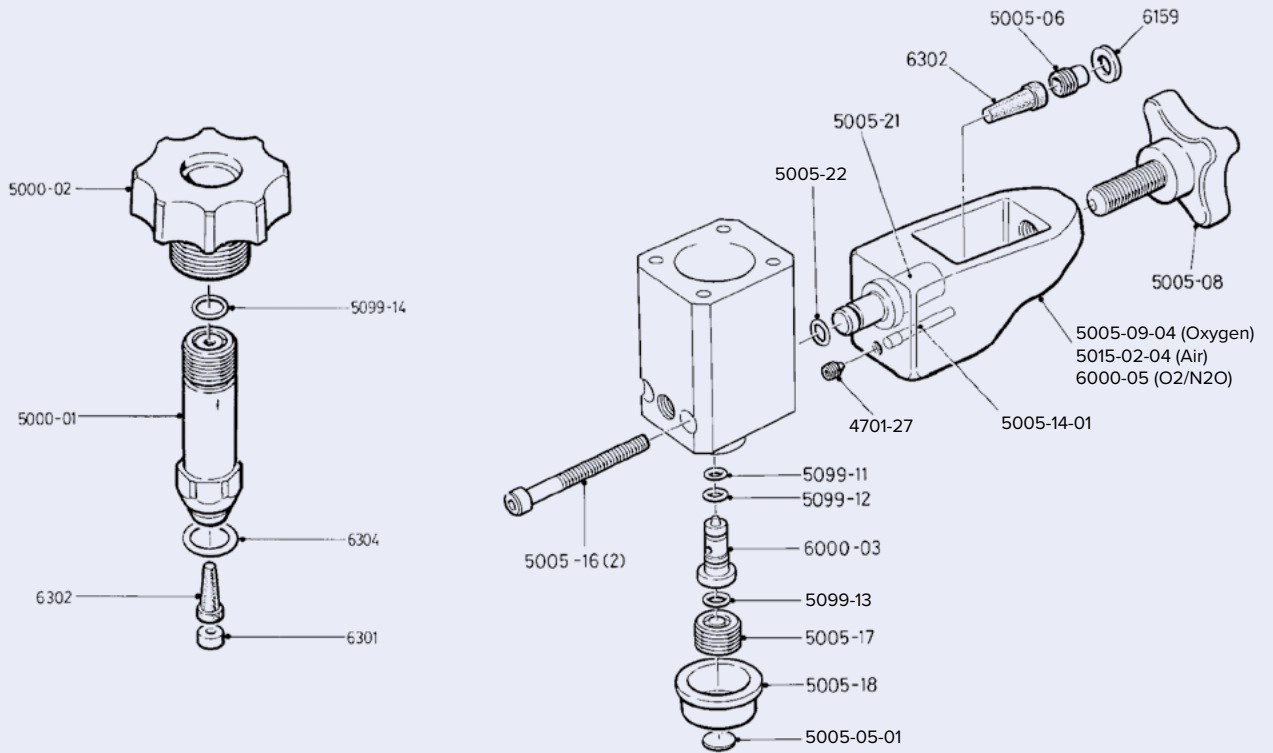
4701-01	Vacuum Probe for Therapy Equipment Suction Unit
4701-02	O Ring for Vacuum Probe
4701-03-01	Control Knob
4701-10	O Ring Seal for Pipeline Protector
4701-12	Filter for Thoracic Suction Unit
4701-16	On/Off Tap
4701-19	High Vacuum Gauge
4701-34	Name Ring
4701-54	Black O Ring for On/Off Tap
4701-64	White O Ring for On/Off Tap
4720-20	Low Vacuum Gauge
4740-21	Thoracic Vacuum Gauge
4701-68	Thoracic Filter Jar Assembly
4900	Pipeline Protector - Pack of 10
4701-16/Kit	On/Off Tap with O Rings kit

SUCTION JAR SPARES

4800-01	Jar Seal
4800-02	Jar Lid
4800-03	Receiver Jar Only
4800-04	Long Tapered Patient Connector
4800-05	Short Tapered Vacuum Connector
4800-10	Float Assembly
4800-14	Silicon Swirl Tube



SPARES MEDIREG



* Superseded by Stop Plate 5050-18 W.E.F 1/1/03

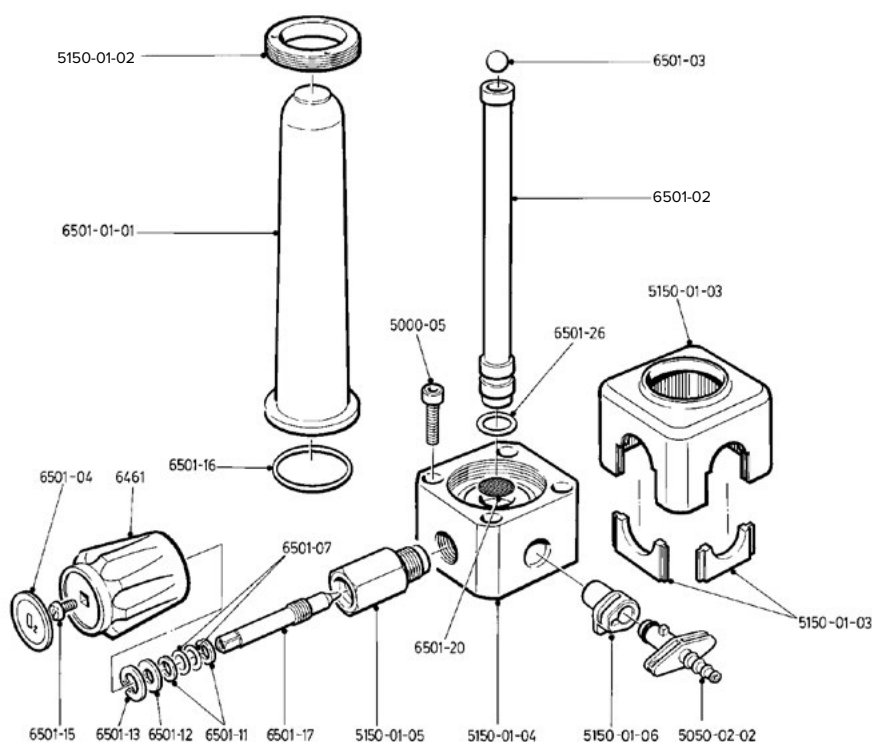
MEDIREGS / DIALREGS / FLOWREGS

5000-01-01	Bullnose Nipple Assembly
5000-02	Handwheel Assembly
5050-03	Top Cover
5000-04	Inner Cap
5000-06-20	Service Label - Bullnose - Pink (2020)
5000-08	3/8 Outlet Connector
5000-08-01	Schrader Outlet Connector
5000-09	Oxygen Label
5000-09-01	Air Label
5005-05-20	Service Disc - Pin Index - Pink (2020)
5005-06	Inlet Nipple - Yoke
5005-08	Pin Index Yoke Screw
5005-09-04	Oxygen Pin Index Yoke Only
5005-14-01	Pin Index Pin
5005-17	Threaded Plug
5005-21	Yoke Insert
5015-02-04	Air Pin Index Yoke Only
5050-01-01	Ball Bearing
5050-07-01	Dial Main Body
5050-08-01	Dialreg Pin
5050-09-01	Cover Plate
5050-10-01	Dialreg Control Knob - 0-15 LPM
5050-10-03	Dialreg Control Knob - 0-1 LPM (Complete with Flush setting)
5050-10-05	Dialreg Control Knob - 0-15 LPM (Low Start)
5050-10-07	Dialreg Control Knob - 2/4 LPM
5050-11-01	Dialreg Label - Air
5050-11-02	Dialreg Label - Oxygen
5050-12-01	Dialreg Cap
5050-13-01	Dialreg Disc - Clamping
5050-14-01	Dialreg Spring
5050-15-02	Metering Drum
5099-05-01	Diaphragm Assembly - Oxygen/Air
5099-08	2" Screws
5099-13	Jet Seating
5099-15	Bullnose Main Body - Top Outlet

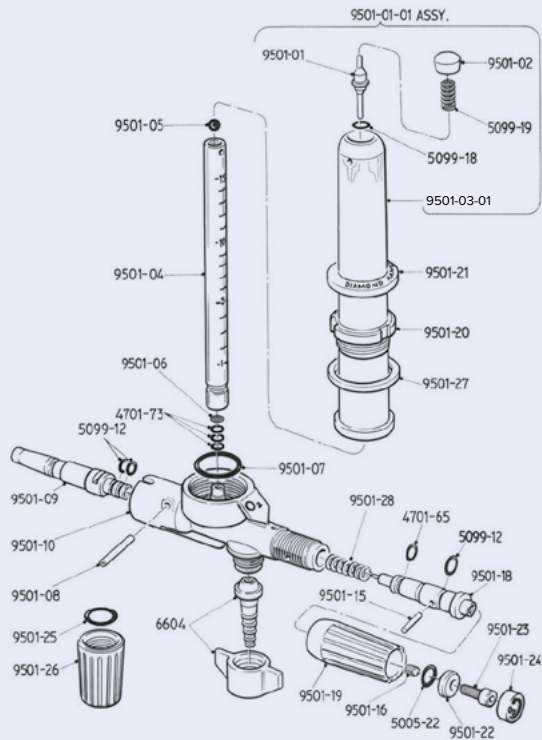
5099-15-01	Bullnose Main Body - Side Outlet
5099-15-04	Pin Index Main Body - Side Outlet
5099-15-05	Pin Index Main Body - Top Outlet
5099-16-01	Adjusting Screw
5099-17	Valve Body
5099-19	Safety Valve Spring
5099-20	Case - Front
5099-21	Case - Back - Oxygen
5099-21-01	Case - Back - Air
5099-22	Case - Base
5099-23	Serial Number Label (Black Print)
5099-24	Logo Label
5099-26	414kPa Spring
5099-27	Oxygen Gauge
5099-27-01	Gauge Glass
5099-28	Air Gauge
5150-01-02	Flowreg Clamping Ring
5150-01-03	Flowreg Cover
5150-01-04	Flowreg Flowmeter Main Body
5150-01-05	Flowreg Spindle Body
6000-01	Entonox Gauge
6000-03	Entonox Jet Seating
6000-05	Entonox Pin Index Yoke Only
6000-07	Entonox Diaphragm Assembly
5099-21-04	Case - Back - Entonox
6501-01-01	Flanged Outer Tube

Service Kits (All parts required in connection with 4 Yearly reconditioning):

5099-50	Bullnose Medireg Service Kit
5099-55	Pin Index Medireg Service Kit
5099-60	Bullnose Dialreg Service Kit
5099-65	Pin Index Dialreg Service Kit
5099-70	Bullnose Flowreg Service Kit
5099-75	Pin Index Flowreg Service Kit
6010-01	Pin Index O2/N2O Medireg Service Kit



SPARES DIAMOND FLOWMETER

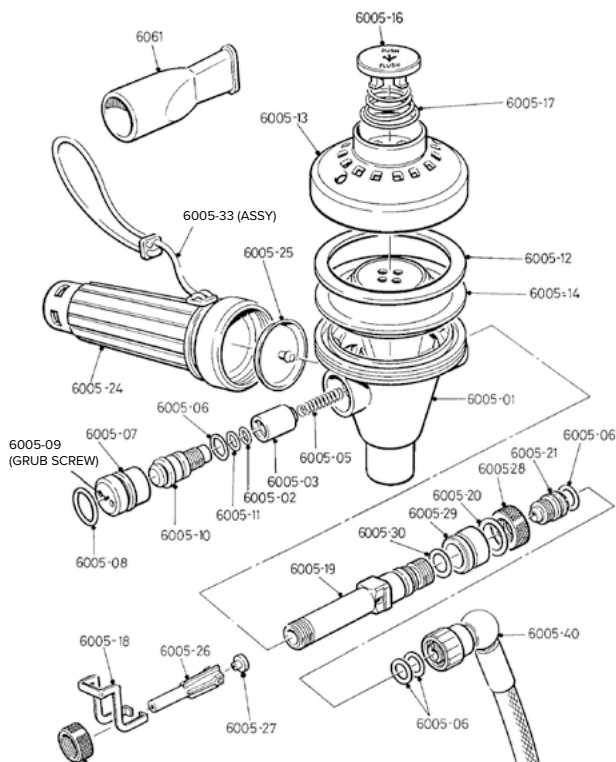


DIAMOND FLOWMETER SPARES

The Therapy Equipment Diamond Range Flowmeter is supplied with a 7 year warranty against malfunction and damage. In line with standard policy, all spares are available, however should not be required. In the event of breakage, please return the unit to therapy equipment ltd for a free of charge repair/replacement.

9501-26	Outlet Adaptor (to convert Male Outlet to Female)
9501-03-01	Diamond Flowmeter Control Knob - O2
9501-04	Diamond Flowmeter Inner Tube - O2
9501-21	Diamond Flowmeter Cover Ring - O2

SPARES ENTONOX



COMFORT RANGE ANALGESIC EQUIPMENT SPARES

6005-60	2 Metre PVC Hose Assembly
6005-60/3M	3 Metre PVC "Entonox" Hose Assembly
6005-60/4M	4 Metre PVC "Entonox" Hose Assembly
6005-50	2 Metre Silicone Hose Assembly
6005-50/3M	3 Metre Silicone "Entonox" Hose Assembly
6005-50/4M	4 Metre Silicone "Entonox" Hose Assembly
6005-33	Wrist Strap
6005-45	Valve Capsule (6005-10/11/06/02/03)
6815	Patient Facemask - Large
6816	Patient Facemask - Medium
6061	Patient Mouthpiece
6020-03/	30mm Plastic Tubing for AGSS System (17 x 1.5m Sections)
6020-01	AGSS 30mm Male Connector
6020-02	AGSS 30mm Female Connector
6000-19	Spare Carry Case
6005-46	Demand Valve Reconditioning Kit (Valve Capsule; Valve Seat)
6005-48	Demand Valve Buffer Ring
6005-41	Demand Valve Elbow Connector
6005-24	Demand Valve Handle
6005-13	Demand Valve Cap
6005-16	Demand Valve Flush Button